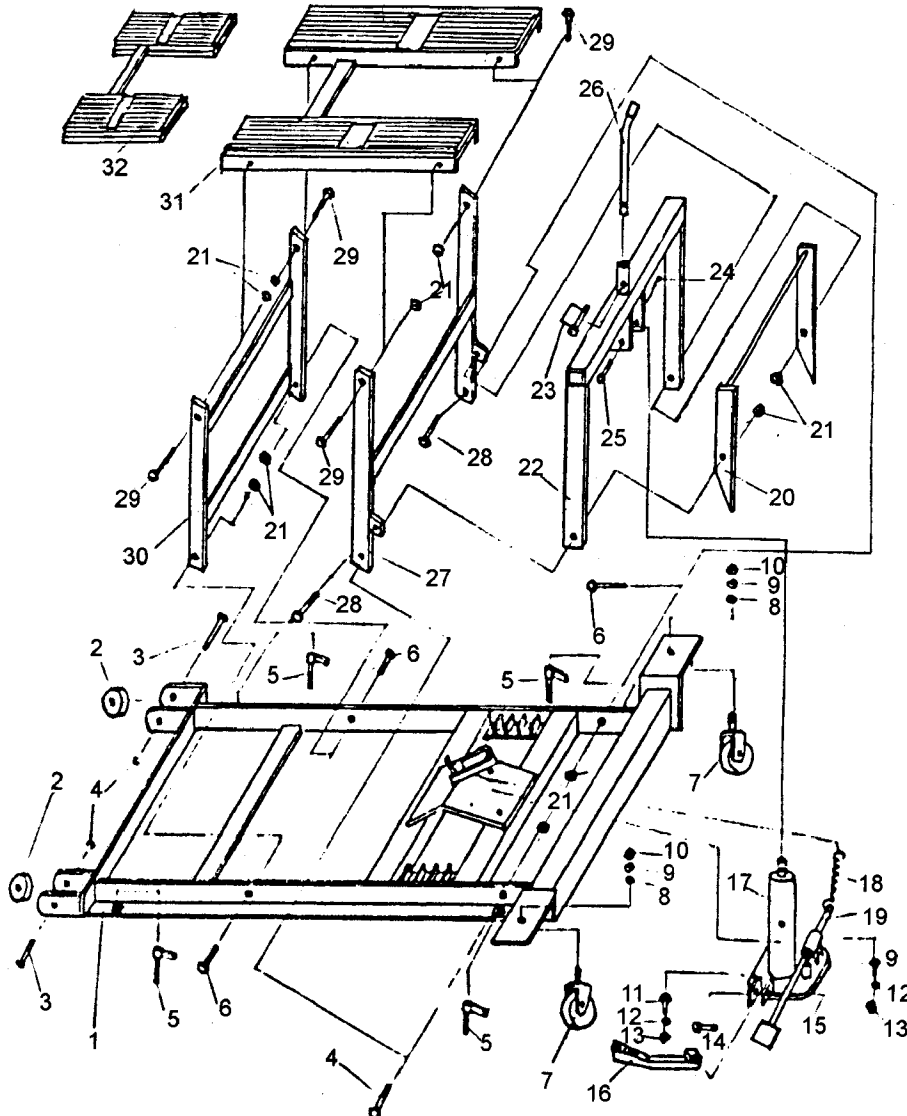


## #41644 MOTORCYCLE LIFT PARTS DIAGRAM



### PARTS LIST

<u>Part #</u>	<u>Description</u>	<u>Qty</u>	<u>Part #</u>	<u>Description</u>	<u>Qty</u>
1	Base	1	17	Hydraulic Jack	1
2	Wheel	2	18	Spring	1
3	Wheel Shaft	2	19	Jack Pedal	1
4	Circlip 14	2	20	Stop Bar	1
5	Screw m12 x 40	4	21	Lock Nut m12	10
6	Bolt m12 x 60	4	22	Pulling Rod Assembly	1
7	Caster Assembly	2	23	Clevis Pin 14 x 60	1
8	Washer m12	2	24	Split Pin 4 x 22	1
9	Spring Washer	2	25	Lock Pin	1
10	Nut m12	2	26	Handle	1
11	Bolt m8 x 25	2	27	Back Strut	1
12	Washer m8	2	28	Bolt m12 x 65	2
13	Nut m8	2	29	Bolt m12 x 120	4
14	Pedal Shaft	1	30	Front Strut	1
15	Circlip m8	1	31	Saddle	1
16	Release Pedal	1	32	Holder	1